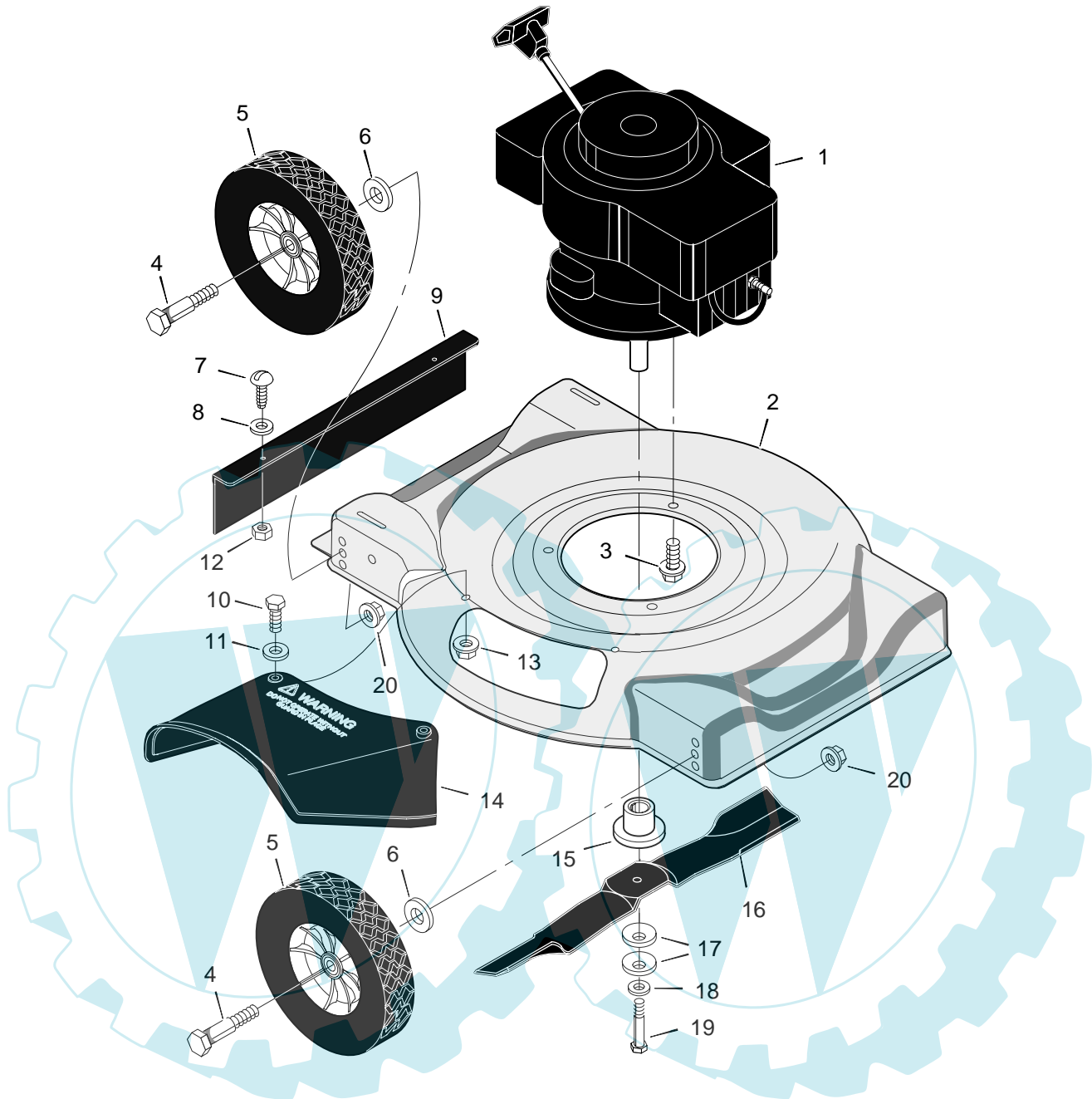


MODEL 20111x194NB

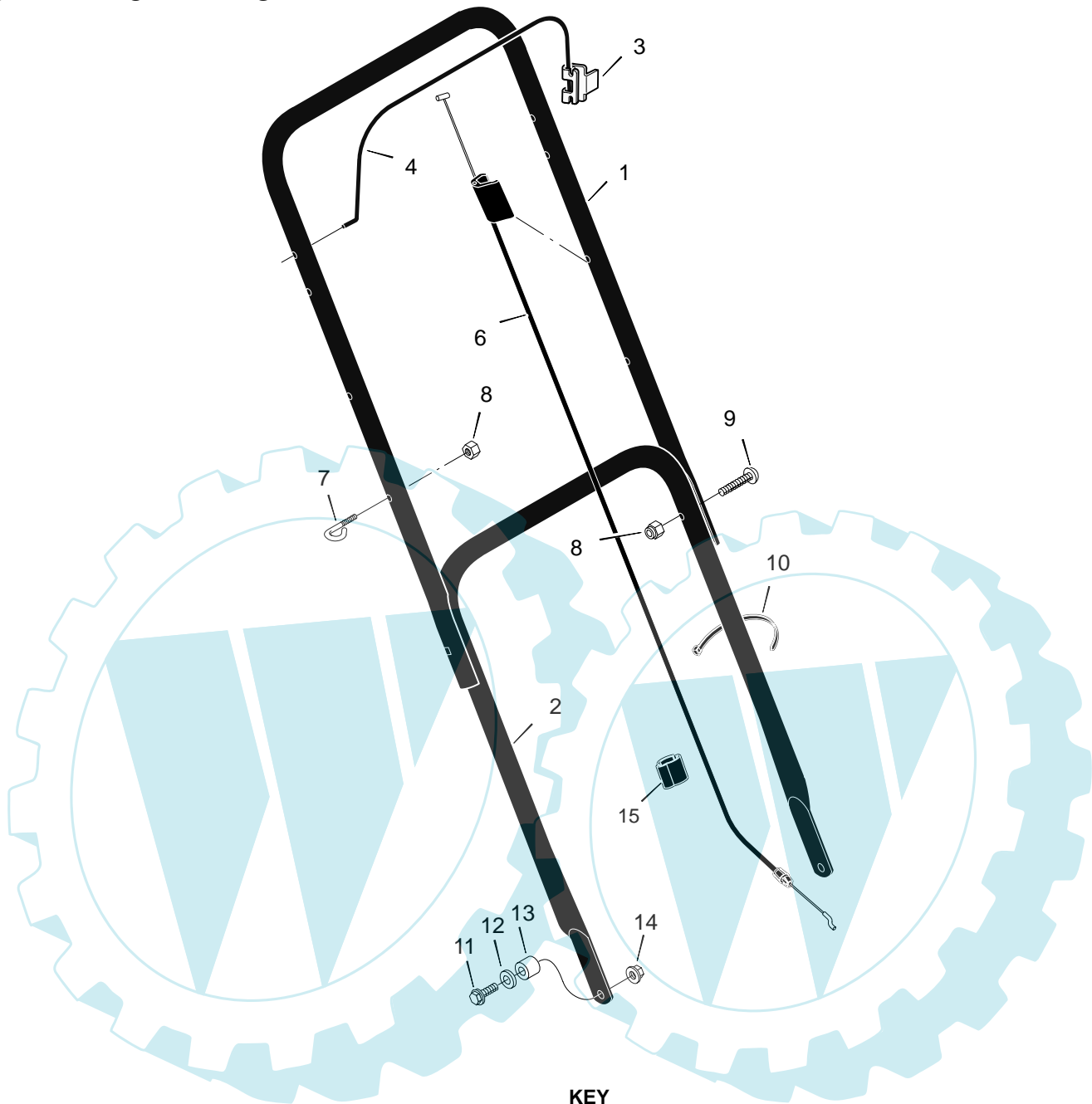
REPAIR PARTS



KEY NO.	DESCRIPTION	PART NO.	KEY NO.	DESCRIPTION	PART NO.
1	Engine	—	13	Locknut	15X116
2	Housing	7950007	14	Deflector, Chute	671929
3	Bolt, Engine	0025X6	15	Blade Adapter	071056
4	Bolt, Axle	009x10	16	Blade – 20"	042785E701
5	Wheel and Tire	020270	17	Washer, Blade	17X137
6	Washer	000845	18	Washer	17X124
7	Screw	26x245	19	Bolt	01X142
9	Deflector, Rear	1101620	20	Locknut	015X68
10	Bolt	01x121	–	Loose Parts Hardware Bag	672733
11	Washer	017X37	–	Book, Instruction	F-030455C

MODEL 20111x194NB

REPAIR PARTS



KEY NO.	DESCRIPTION	PART NO.	KEY NO.	DESCRIPTION	PART NO.
1	Handle, Upper (Black)	1101095E701	11	Bolt	01x111
2	Handle, Lower (Black)	672874E701	12	Washer	000845
3	Bracket, Stop Lever	1101454	13	Spacer	671914
4	Lever, Stop	671924E701	14	Nut	015x84
6	Engine Stop Cable	1101093	15	Fastener, Cable	1101353
7	Guide, Rope	043956	--	Decal, Warning Symbols	48x4035
8	Locknut	015x68	--	Decal, Cut Finger	48x4033
9	Screw	03x136	--	Decal, Install Chute	48x116
10	Fastener, Cable	071372			